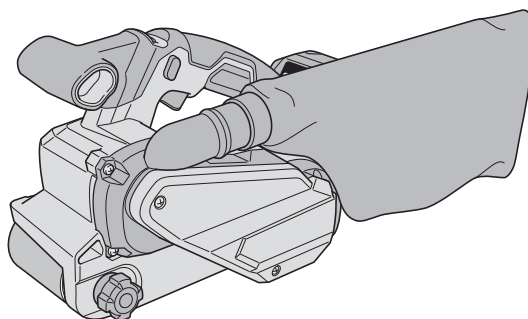
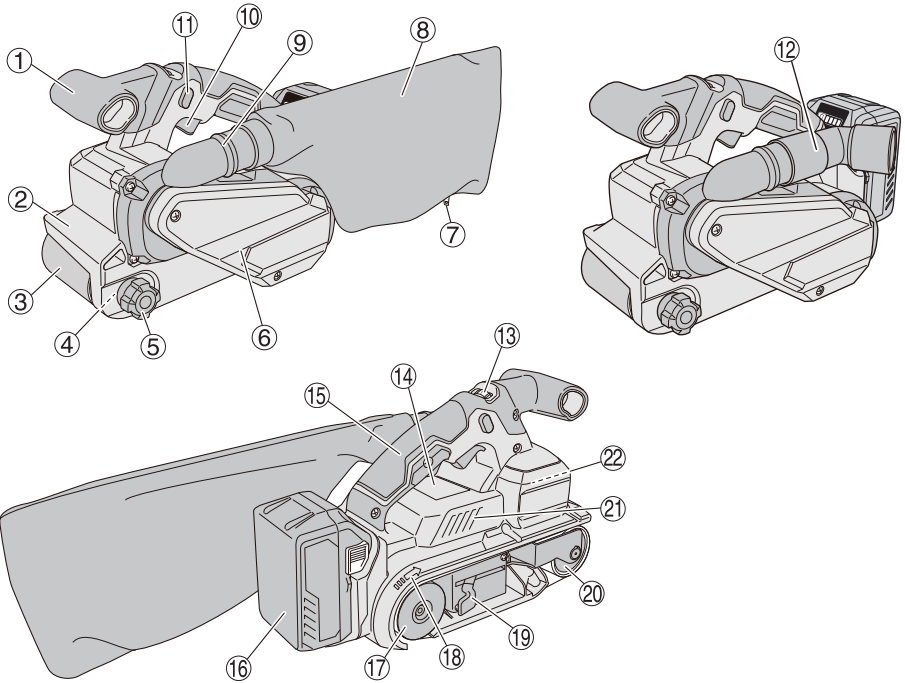
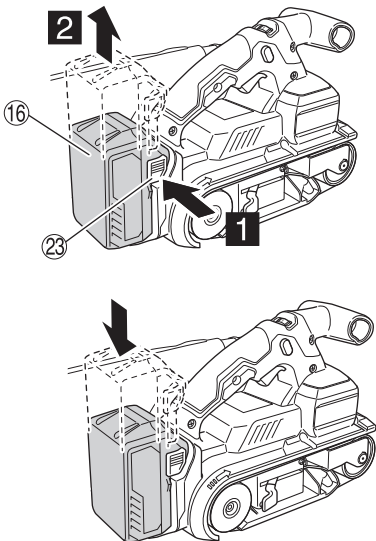
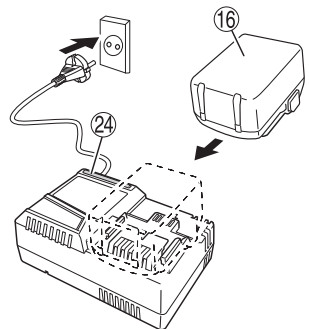


HIKOKI

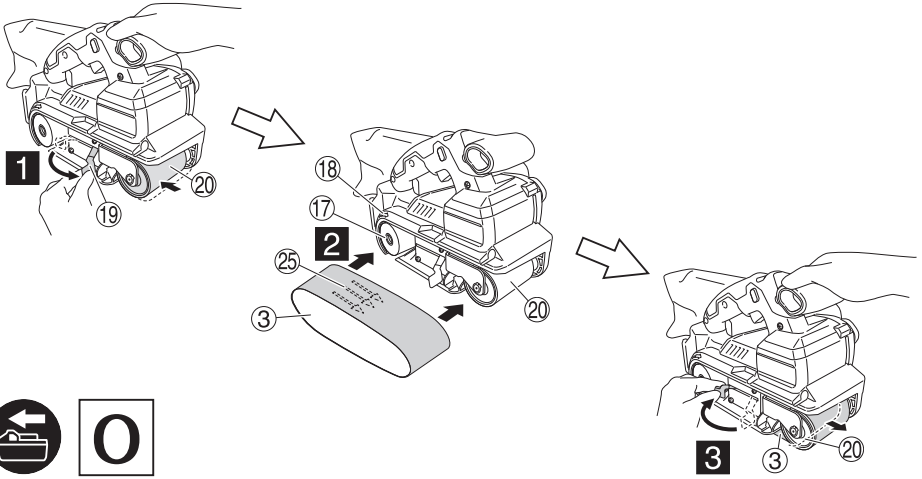
SB 3608DA



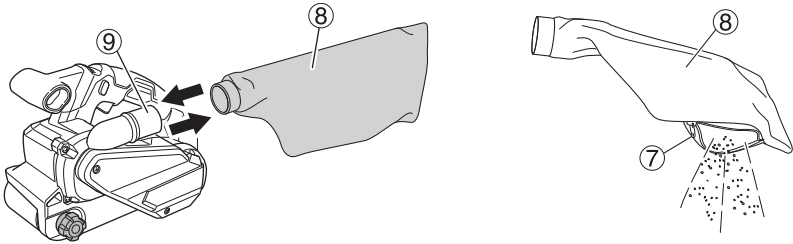
Handling instructions

1**2****3**

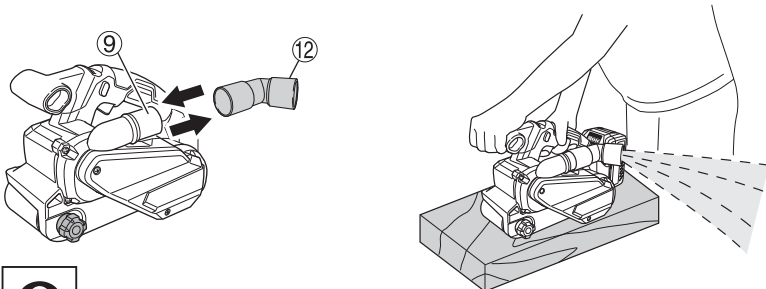
4



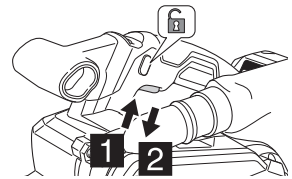
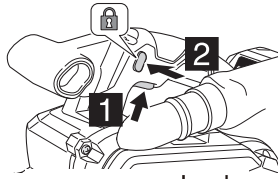
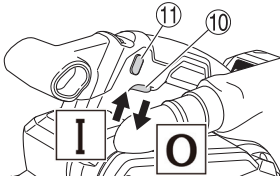
5



6



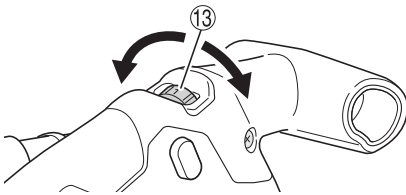
7



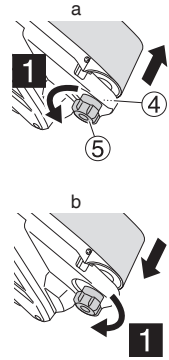
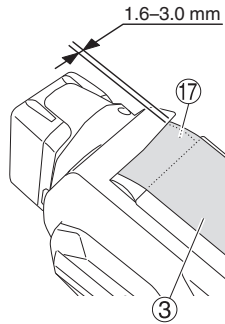
Lock
1 + **2** = **I**

O

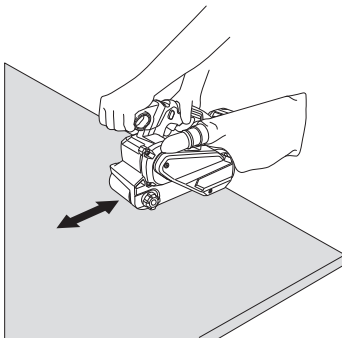
8



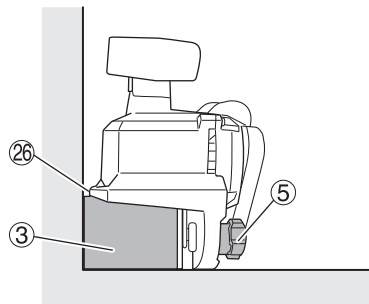
9



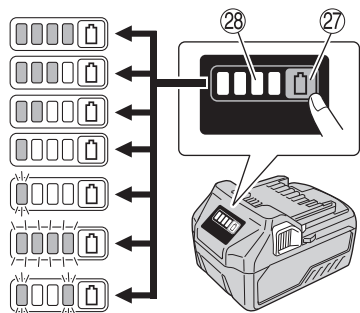
10



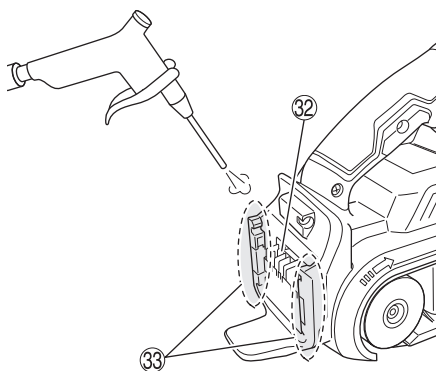
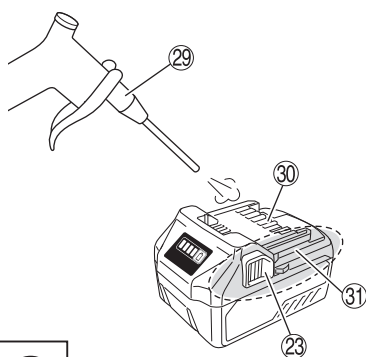
11



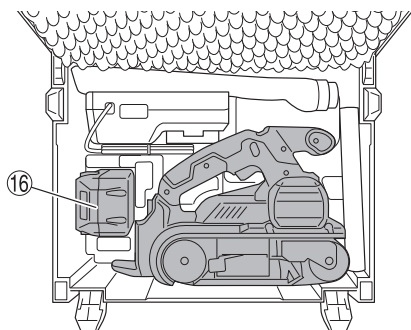
12



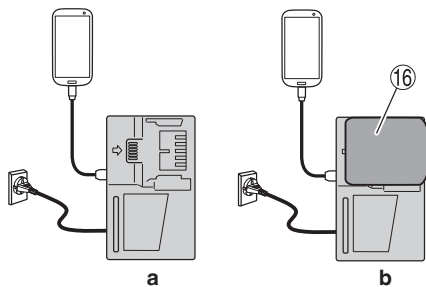
13



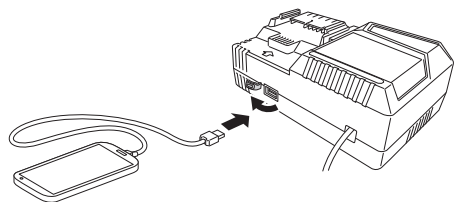
14



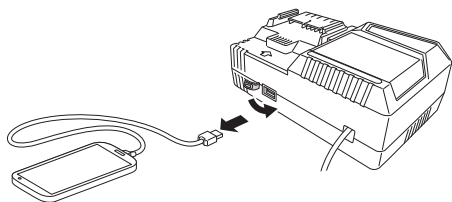
15



16



17



GENERAL POWER TOOL SAFETY WARNINGS

WARNING

Read all safety warnings, instructions, illustrations and specifications provided with this power tool.

Failure to follow all instructions listed below may result in electric shock, fire and/or serious injury.

Save all warnings and instructions for future reference.

The term "power tool" in the warnings refers to your mains-operated (corded) power tool or battery-operated (cordless) power tool.

1) Work area safety

- a) **Keep work area clean and well lit.**
Cluttered or dark areas invite accidents.
- b) **Do not operate power tools in explosive atmospheres, such as in the presence of flammable liquids, gases or dust.**
Power tools create sparks which may ignite the dust or fumes.
- c) **Keep children and bystanders away while operating a power tool.**
Distractions can cause you to lose control.

2) Electrical safety

- a) **Power tool plugs must match the outlet. Never modify the plug in any way. Do not use any adapter plugs with earthed (grounded) power tools.**
Unmodified plugs and matching outlets will reduce risk of electric shock.
- b) **Avoid body contact with earthed or grounded surfaces, such as pipes, radiators, ranges and refrigerators.**
There is an increased risk of electric shock if your body is earthed or grounded.
- c) **Do not expose power tools to rain or wet conditions.**
Water entering a power tool will increase the risk of electric shock.
- d) **Do not abuse the cord. Never use the cord for carrying, pulling or unplugging the power tool. Keep cord away from heat, oil, sharp edges or moving parts.**
Damaged or entangled cords increase the risk of electric shock.
- e) **When operating a power tool outdoors, use an extension cord suitable for outdoor use.**
Use of a cord suitable for outdoor use reduces the risk of electric shock.
- f) **If operating a power tool in a damp location is unavoidable, use a residual current device (RCD) protected supply.**
Use of an RCD reduces the risk of electric shock.

3) Personal safety

- a) **Stay alert, watch what you are doing and use common sense when operating a power tool. Do not use a power tool while you are tired or under the influence of drugs, alcohol or medication.**
A moment of inattention while operating power tools may result in serious personal injury.
- b) **Use personal protective equipment. Always wear eye protection.**
Protective equipment such as a dust mask, non-skid safety shoes, hard hat or hearing protection used for appropriate conditions will reduce personal injuries.

- c) **Prevent unintentional starting. Ensure the switch is in the off-position before connecting to power source and/or battery pack, picking up or carrying the tool.**

Carrying power tools with your finger on the switch or energising power tools that have the switch on invites accidents.

- d) **Remove any adjusting key or wrench before turning the power tool on.**

A wrench or a key left attached to a rotating part of the power tool may result in personal injury.

- e) **Do not overreach. Keep proper footing and balance at all times.**

This enables better control of the power tool in unexpected situations.

- f) **Dress properly. Do not wear loose clothing or jewellery. Keep your hair and clothing away from moving parts.**

Loose clothes, jewellery or long hair can be caught in moving parts.

- g) **If devices are provided for the connection of dust extraction and collection facilities, ensure these are connected and properly used.**

Use of dust collection can reduce dust-related hazards.

- h) **Do not let familiarity gained from frequent use of tools allow you to become complacent and ignore tool safety principles.**

A careless action can cause severe injury within a fraction of a second.

4) Power tool use and care

- a) **Do not force the power tool. Use the correct power tool for your application.**

The correct power tool will do the job better and safer at the rate for which it was designed.

- b) **Do not use the power tool if the switch does not turn it on and off.**

Any power tool that cannot be controlled with the switch is dangerous and must be repaired.

- c) **Disconnect the plug from the power source and/or remove the battery pack, if detachable, from the power tool before making any adjustments, changing accessories, or storing power tools.**

Such preventive safety measures reduce the risk of starting the power tool accidentally.

- d) **Store idle power tools out of the reach of children and do not allow persons unfamiliar with the power tool or these instructions to operate the power tool.**

Power tools are dangerous in the hands of untrained users.

- e) **Maintain power tools and accessories. Check for misalignment or binding of moving parts, breakage of parts and any other condition that may affect the power tool's operation. If damaged, have the power tool repaired before use.**

Many accidents are caused by poorly maintained power tools.

- f) **Keep cutting tools sharp and clean.**

Properly maintained cutting tools with sharp cutting edges are less likely to bind and are easier to control.

- g) **Use the power tool, accessories and tool bits etc. in accordance with these instructions, taking into account the working conditions and the work to be performed.**

Use of the power tool for operations different from those intended could result in a hazardous situation.

ADDITIONAL SAFETY WARNINGS

- h) **Keep handles and grasping surfaces dry, clean and free from oil and grease.**
Slippery handles and grasping surfaces do not allow for safe handling and control of the tool in unexpected situations.
- 5) **Battery tool use and care**
- a) **Recharge only with the charger specified by the manufacturer.**
A charger that is suitable for one type of battery pack may create a risk of fire when used with another battery pack.
- b) **Use power tools only with specifically designated battery packs.**
Use of any other battery packs may create a risk of injury and fire.
- c) **When battery pack is not in use, keep it away from other metal objects, like paper clips, coins, keys, nails, screws or other small metal objects, that can make a connection from one terminal to another.**
Shorting the battery terminals together may cause burns or a fire.
- d) **Under abusive conditions, liquid may be ejected from the battery; avoid contact. If contact accidentally occurs, flush with water. If liquid contacts eyes, additionally seek medical help.**
Liquid ejected from the battery may cause irritation or burns.
- e) **Do not use a battery pack or tool that is damaged or modified.**
Damaged or modified batteries may exhibit unpredictable behaviour resulting in fire, explosion or risk of injury.
- f) **Do not expose a battery pack or tool to fire or excessive temperature.**
Exposure to fire or temperature above 130°C may cause explosion.
- g) **Follow all charging instructions and do not charge the battery pack or tool outside the temperature range specified in the instructions.**
Charging improperly or at temperatures outside the specified range may damage the battery and increase the risk of fire.
- 6) **Service**
- a) **Have your power tool serviced by a qualified repair person using only identical replacement parts.**
This will ensure that the safety of the power tool is maintained.
- b) **Never service damaged battery packs.**
Service of battery packs should only be performed by the manufacturer or authorized service providers.

PRECAUTION

Keep children and infirm persons away.

When not in use, tools should be stored out of reach of children and infirm persons.

CORDLESS BELT SANDER SAFETY WARNINGS

Hold the power tool by insulated gripping surfaces, because the sanding surface may contact hidden wiring. Cutting a "live" wire may make exposed metal parts of the power tool "live" and could give the operator an electric shock.

1. Use clamps or another practical way to secure and support the workpiece to a stable platform. Holding the workpiece by hand or against your body leaves it unstable and may lead to loss of control.
2. Attaching and removing the dust bag
Prior to the sanding operation, make sure the material of surface you are going to sand.
If the surface under sanding operation is expected to generate harmful / toxic dusts such as lead painted surface, make sure the dust bag or appropriate dust extraction system is connected with dust outlet tightly. Wear the dust mask additionally, if available.
Do not inhale or touch the harmful / toxic dusts generated in sanding operation, the dust can endanger the health of yourself and bystanders.
3. Never apply water or grinding fluid when sanding. This could result in electrical shock.
4. Never turn the power switch ON when the sander is contacting the surface to be sanded. This is necessary to preclude damage to the material. The same applies when switching the power OFF.
5. DO NOT apply excessive pressure to the sander while sanding. Excessive-pressure may cause overload of the motor, reduced service life of the sanding belt, and lowered sanding or polishing efficiency.
6. Never touch moving parts.
Never place your hands, fingers or other body parts near the tool's moving parts.
7. NEVER leave tool running unattended. Turn power off. Don't leave tool until it comes to a complete stop.
8. When operating the tool, do not wear work gloves as such cloth wear can get caught in the tool.
9. Do not leave the tool running. Operate the tool only when hand-held.
10. Make sure that there are no cracks, scratches, or other abnormalities on the sanding belt before use.
11. Accessories must be securely mounted to the tool. Prevent potential injuries to yourself or others. Accessories which have been mounted to the tool should be secure and tight.
12. Use the sanding belt and accessories specified by HiKOKI.
13. When sanding metal, sparks are generated. Keep other persons and flammable substances away from the work area.
14. Sanding belt installed in the wrong direction will lower work efficiency and shorten life of sanding belt.
15. If sanding belt moves during operation, adjustment can be made while in operation.
16. Sanding by applying impact and cutting by side of belt contact should be avoided.
17. Be careful of sanding sparks.
18. As certain that the sanding workpiece contains neither nails nor other harmful foreign matter.
19. Sanding glass fiber not recommended.
20. After operation, blow away the dust on the belt and the pulleys.
21. Place the workpiece on a stable surface when sanding.
22. Do not sand a steel plate for extended periods while applying excessive pressure.
There is a risk that hot sanding particles could damage the dust bag.
23. If you notice that the unit is generating unusually high temperatures, operating poorly, or making abnormal noises, immediately stop using and shut off the power switch. Request an inspection and repair from the dealer where you purchased the unit or a HiKOKI Authorized Service Center.
Continuing to use while operating abnormally might cause injuries.

24. If the unit is mistakenly dropped or strikes another object, make a thorough check of the unit for cracks, breakage or deformation, etc.
Injuries might occur if the unit has cracks, breakage or deformation.
25. When working at elevated locations, clear the area of other people and aware of conditions below you.
26. Always charge the battery at a temperature of 0°C–40°C. A temperature of less than 0°C will result in over charging which is dangerous. The battery cannot be charged at a temperature higher than 40°C.
The most suitable temperature for charging is that of 20°C–25°C.
27. Do not use the charger continuously.
When one charging is completed, leave the charger for about 15 minutes before the next charging of battery.
28. Do not allow foreign matter to enter the hole for connecting the rechargeable battery.
29. Never disassemble the rechargeable battery and charger.
30. Never short-circuit the rechargeable battery. Shortcircuiting the battery will cause a great electric current and overheat. It results in burn or damage to the battery.
31. Do not dispose of the battery in fire. If the battery is burnt, it may explode.
32. Bring the battery to the shop from which it was purchased as soon as the post-charging battery life becomes too short for practical use. Do not dispose of the exhausted battery.
33. Do not insert object into the air ventilation slots of the charger. Inserting metal objects or inflammables into the charger air ventilation slots will result in electrical shock hazard or damaged charger.
34. When using this unit continuously, the unit may overheat, leading to damage in the motor and switch. Therefore, whenever the housing becomes hot, give the tool a break for a while.
35. Make sure that the battery is installed firmly. If it is at all loose it could come off and cause an accident.
36. Do not use the product if the tool or the battery terminals (battery mount) are deformed.
Installing the battery could cause a short circuit that could result in smoke emission or ignition.
37. Keep the tool's terminals (battery mount) free of swarf and dust.
 - Prior to use, make sure that swarf and dust have not collected in the area of the terminals.
 - During use, try to avoid swarf or dust on the tool from falling on the battery.
 - When suspending operation or after use, do not leave the tool in an area where it may be exposed to falling swarf or dust.
Doing so could cause a short circuit that could result in smoke emission or ignition.
38. Always use the tool and battery at temperatures between -5°C and 40°C.
3. If the battery is overheated under overload work, the battery power may stop.
In this case, stop using the battery and let the battery cool. After that, you can use it again.
Furthermore, please heed the following warning and caution.

WARNING

In order to prevent any battery leakage, heat generation, smoke emission, explosion and ignition beforehand, please be sure to heed the following precautions.

1. Make sure that swarf and dust do not collect on the battery.
 - During work make sure that swarf and dust do not fall on the battery.
 - Make sure that any swarf and dust falling on the power tool during work do not collect on the battery.
 - Do not store an unused battery in a location exposed to swarf and dust.
 - Before storing a battery, remove any swarf and dust that may adhere to it and do not store it together with metal parts (screws, nails, etc.).
2. Do not pierce battery with a sharp object such as a nail, strike with a hammer, step on, throw or subject the battery to severe physical shock.
3. Do not use an apparently damaged or deformed battery.
4. Do not use the battery for a purpose other than those specified.
5. If the battery charging fails to complete even when a specified recharging time has elapsed, immediately stop further recharging.
6. Do not put or subject the battery to high temperatures or high pressure such as into a microwave oven, dryer, or high pressure container.
7. Keep away from fire immediately when leakage or foul odor are detected.
8. Do not use in a location where strong static electricity generates.
9. If there is battery leakage, foul odor, heat generated, discolored or deformed, or in any way appears abnormal during use, recharging or storage, immediately remove it from the equipment or battery charger, and stop use.
10. Do not immerse the battery or allow any fluids to flow inside. Conductive liquid ingress, such as water, can cause damage resulting in fire or explosion. Store your battery in a cool, dry place, away from combustible and flammable items. Corrosive gas atmospheres must be avoided.

CAUTION

1. If liquid leaking from the battery gets into your eyes, do not rub your eyes and wash them well with fresh clean water such as tap water and contact a doctor immediately.
If left untreated, the liquid may cause eye-problems.
2. If liquid leaks onto your skin or clothes, wash well with clean water such as tap water immediately.
There is a possibility that this can cause skin irritation.
3. If you find rust, foul odor, overheating, discolor, deformation, and/or other irregularities when using the battery for the first time, do not use and return it to your supplier or vendor.

WARNING

If a conductive foreign matter enters in the terminal of lithium ion battery, the battery may be shorted, causing fire. When storing the lithium ion battery, obey surely the rules of following contents.

- Do not place conductive debris, nail and wires such as iron wire and copper wire in the storage case.
- To prevent shorting from occurring, load the battery in the tool or insert securely the battery cover for storing until the ventilator is not seen.

CAUTION ON LITHIUM-ION BATTERY

To extend the lifetime, the lithium-ion battery equips with the protection function to stop the output.

In the cases of 1 to 3 described below, when using this product, even if you are pulling the switch, the motor may stop. This is not the trouble but the result of protection function.

1. When the battery power remaining runs out, the motor stops.
In such a case, charge it up immediately.
2. If the tool is overloaded, the motor may stop. In this case, release the switch of tool and eliminate causes of overloading. After that, you can use it again.

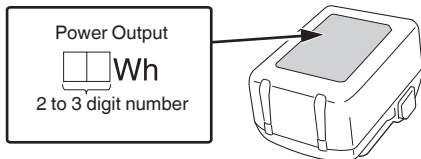
REGARDING LITHIUM-ION BATTERY TRANSPORTATION

When transporting a lithium-ion battery, please observe the following precautions.

WARNING

Notify the transporting company that a package contains a lithium-ion battery, inform the company of its power output and follow the instructions of the transportation company when arranging transport.

- Lithium-ion batteries that exceed a power output of 100 Wh are considered to be in the freight classification of Dangerous Goods and will require special application procedures.
- For transportation abroad, you must comply with international law and the rules and regulations of the destination country.



USB DEVICE CONNECTION PRECAUTIONS

When an unexpected problem occurs, the data in a USB device connected to this product may be corrupted or lost. Always make sure to back up any data contained in the USB device prior to use with this product.

Please be aware that our company accepts absolutely no responsibility for any data stored in a USB device that is corrupted or lost, nor for any damage that may occur to a connected device.

WARNING

- Prior to use, check the connecting USB cable for any defect or damage. Using a defective or damaged USB cable can cause smoke emission or ignition.
- When the product is not being used, cover the USB port with the rubber cover. Buildup of dust etc. in the USB port can cause smoke emission or ignition.

NOTE

- There may be an occasional pause during USB recharging.
- When a USB device is not being charged, remove the USB device from the charger. Failure to do so may not only reduce the battery life of a USB device, but may also result in unexpected accidents.
- It may not be possible to charge some USB devices, depending on the type of device.

NAMES OF PARTS (Fig. 1–Fig. 17)





①	Handle knob	⑱	Drive pulley rotation direction arrow (marking)
②	Housing	⑲	Lever
③	Sanding belt	⑳	Idle pulley
④	Guard	㉑	Ventilation holes
⑤	Adjust screw	㉒	Motor
⑥	Belt cover	㉓	Latch
⑦	Slide fastener	㉔	Charge indicator lamp
⑧	Dust bag	㉕	Arrows on the inside of the belt
⑨	Duct	㉖	Side of housing
⑩	Trigger switch	㉗	Battery level indicator switch
⑪	Lock on button	㉘	Battery level indicator lamp
⑫	Elbow	㉙	Air blow gun
⑬	Dial	⑳	Terminal (Battery)
⑭	Nameplate	㉓	Sliding grooves
⑮	Handle	㉔	Terminal (Product)
⑯	Battery	㉕	Battery sliding grooves
⑰	Drive pulley		

SYMBOLS

WARNING

The following show symbols used for the machine. Be sure that you understand their meaning before use.

	SB3608DA: Cordless Belt Sander
	To reduce the risk of injury, user must read instruction manual.
	Direct current
	Rated voltage
	No-load speed
	/min Revolution or reciprocations per minute
	Disconnect the battery
	Switching ON
	Switching OFF

	Switch locks to the "ON" position
	Lock
	Unlock
	Warning

NOTE

Due to HiKOKI's continuing program of research and development, the specifications herein are subject to change without prior notice.

Electronic control

- Braking Function
- Brake is activated when the switch is turned off, stopping the motor's rotation.
- Soft start
- Variable speed
- Constant speed
- Overload protection

This protection feature cuts off the power to the motor in the event of overloading of motor or a conspicuous reduction in rotational speed during operation.

When the overload protection feature has been activated, the motor may stop.

In this case, release the tool switch and eliminate causes of overloading.

After that you can use it again.

- Overheat protection

This protection feature cuts off the power to the motor and stops the power tool in the event of overheating of motor during operation.

When the overheat protection feature has been activated, the motor may stop.

In this case, release the tool switch and cool it down in a few minutes.








After that you can use it again.

- Restart prevention function

When the power is still switched on, the tool will not restart when a battery is installed. This function can be canceled once the tool is switched off.

2. Battery

Battery

	Lights ; The battery remaining power is over 75%
	Lights ; The battery remaining power is 50%–75%.
	Lights ; The battery remaining power is 25%–50%.
	Lights ; The battery remaining power is less than 25%
	Blinks ; The battery remaining power is nearly empty. Recharge the battery soonest possible.
	Blinks ; Output suspended due to high temperature. Remove the battery from the tool and allow it to fully cool down.
	Blinks ; Output suspended due to failure or malfunction. The problem may be the battery so please contact your dealer.

STANDARD ACCESSORIES

In addition to the main unit (1 unit), the package contains the accessories listed on page 15.

Standard accessories are subject to change without notice.

APPLICATIONS

- Finish sanding and finish flooring of woodwork products.
- Base polishing of wood-coated surfaces.
- Finish sanding of metal surfaces.
- Base polishing of metal-coated surfaces, rust removal, or paint removal prior to refinishing.
- Surface finishing of slate, concrete, and similar materials.

SPECIFICATIONS

1. Power tool

Model	SB3608DA
Voltage	36 V
No-load belt speed	122–450 m/min
Sanding belt size	76 × 533 mm
Battery available for this tool*	Multi volt battery
Weight	4.2 kg (BSL36A18) 4.5 kg (BSL36B18)

* Existing batteries (BSL3660/3620/3626, BSL18 series, etc.) cannot be used with this tool.

Model	BSL36A18
Voltage	36 V / 18 V (Automatic Switching*)
Battery capacity	2.5 Ah / 5.0 Ah (Automatic Switching*)

* The tool itself will automatically switch over.

CHARGING

Before using the power tool, charge the battery as follows.

1. **Connect the charger's power cord to the receptacle.**
When connecting the plug of the charger to a receptacle, the charge indicator lamp will blink in red (At 1- second intervals).
2. **Insert the battery into the charger.**
Firmly insert the battery into the charger as shown in **Fig. 3**.
3. **Charging**

When inserting a battery in the charger, the charge indicator lamp will blink in blue.

When the battery becomes fully recharged, the charge indicator lamp will light up in green. (See **Table 1**)

- (1) Charge indicator lamp indication

The indications of the charge indicator lamp will be as shown in **Table 1**, according to the condition of the charger or the rechargeable battery.

Table 1

Charger status	Status of indicator lamp	Indication meaning
Before charging	ON/OFF at 0.5 sec. intervals (RED) 	Plugged into power source *1
While charging	Lights for 0.5 sec. at intervals of 1 sec. (BLUE) 	Charged at less than 50%
	Lights for 1 sec. at intervals of 0.5 sec. (BLUE) 	Charged at less than 80%
	Lights continuously (BLUE) 	Charged at more than 80%
Charging complete	Lights continuously (GREEN) (Continuous buzzer sound: about 6 sec.)	/
Overheat standby	ON/OFF at 0.3 sec. intervals (RED) 	Battery overheated. Unable to charge. *2
Charging impossible	ON/OFF at 0.1 sec. intervals (PURPLE) (Intermittent buzzer sound; about 2 sec.)	Malfunction in the battery or the charger *3

*1 If the red lamp continues to blink even after the charger has been attached, check to confirm that the battery has been fully inserted.

*2 Although charging will start once the battery has cooled down even when left in situ, the best practice is to remove the battery and allow it to cool down in a shaded, well-ventilated location before charging.

*3

- Fully insert the battery.
 - Check to confirm that no foreign matter is stuck to the battery mount or terminals.
- <If charging takes a long time>
- Charging will take longer at extremely low ambient temperatures. Charge the battery in a warm location (such as indoors).
 - Do not block the air vent. Otherwise the interior will overheat, reducing the charger's performance.
 - If the cooling fan is not operating, contact a HiKOKI Authorized Service Center for repairs.

(2) Regarding the temperatures and charging time of the rechargeable battery
The temperatures and charging time will become as shown in **Table 2**.

Table 2

Model		UC18YSL3	
Type of battery		Li-ion	
Charging voltage		14.4–18 V	
Temperatures at which the battery can be recharged		0°C–50°C	
Charging time for battery capacity, approx. (At 20°C)		1.5 Ah	15 min
		2.0 Ah	20 min
		2.5 Ah	25 min
		3.0 Ah	20 min (BSL1430C, BSL1830C: 30 min)
		4.0 Ah	26 min (BSL1840M: 40 min)
		5.0 Ah	32 min
		6.0 Ah	38 min
		8.0 Ah	52 min
	Multi volt battery	1.5 Ah (× 2 unit)	20 min
		2.5 Ah (× 2 unit)	32 min
	4.0 Ah (× 2 unit)	52 min	
Number of battery cells		4–10	
Charging voltage for USB		5 V	
Charging current for USB		2 A	
Weight		0.6 kg	

NOTE

The recharging time may vary according to the ambient temperature and power source voltage.

CAUTION

When the battery charger has been continuously used, the battery charger will be heated, thus constituting the cause of the failures. Once the charging has been completed, give 15 minutes rest until the next charging.

4. Disconnect the charger's power cord from the receptacle.**5. Hold the charger firmly and pull out the battery.****NOTE**

Be sure to pull out the battery from the charger after use, and then keep it.

Regarding electric discharge in case of new batteries, etc.

As the internal chemical substance of new batteries and batteries that have not been used for an extended period is not activated, the electric discharge might be low when using them the first and second time. This is a temporary phenomenon, and normal time required for recharging will be restored by recharging the batteries 2–3 times.

How to make the batteries perform longer.

- (1) Recharge the batteries before they become completely exhausted.
When you feel that the power of the tool becomes weaker, stop using the tool and recharge its battery. If you continue to use the tool and exhaust the electric current, the battery may be damaged and its life will become shorter.
- (2) Avoid recharging at high temperatures.
A rechargeable battery will be hot immediately after use. If such a battery is recharged immediately after use, its internal chemical substance will deteriorate, and the battery life will be shortened. Leave the battery and recharge it after it has cooled for a while.

CAUTION

- If the battery is charged while it is heated because it has been left for a long time in a location subject to direct sunlight or because the battery has just been used, the charge indicator lamp of the charger lights for 0.3 seconds, does not light for 0.3 seconds (off for 0.3 seconds). In such a case, first let the battery cool, then start charging.
- When the charge indicator lamp flickers (at 0.2-second intervals), check for and take out any foreign objects in the charger's battery connector. If there are no foreign objects, it is probable that the battery or charger is malfunctioning. Take it to your authorized Service Center.

MOUNTING AND OPERATION

Action	Figure	Page
Removing and inserting the battery*1	2	2
Charging	3	2
Installing the sanding belt*2	4	3
How to use the dust bag*3	5	3
How to use the elbow*4	6	3
Switch operation	7	4
About the mode change function*5	8	4
How to adjust sanding belt position*6	9	4
How to hold and move the belt sander*7	10	4
How to work on corner	11	4
Remaining battery indicator	12	5
Charging a USB device from an electrical outlet	15-a	5
Charging a USB device and battery from an electrical outlet	15-b	5
How to recharge USB device	16	6
When charging of USB device is completed	17	6
Selecting accessories	—	16

*1 Removing and inserting the battery

CAUTION

Before installing or removing the battery, turn the switch to the OFF position.
If the battery is inserted with the switch in the ON position, the motor will operate unexpectedly.

*2 Installing the sanding belt

Align the arrow on the inside of the sanding belt with the direction of the mark on the tool and install it.

CAUTION

- Use only sanding belt size specified on the product nameplate.
- Sanding belt installed in the wrong direction will lower work efficiency and shorten life of sanding belt.
- Avoid pinching your fingers when opening and closing the lever.

NOTE

- The drive pulley and idle pulley will be hot after use.
- Use an air blow gun or similar device to remove any debris from around the pulleys with the sanding belt removed.

*3 How to use the dust bag

WARNING

Clean the dust bag before and after sanding metal, and remove any sanding dust from inside. Metal sanding dust can cause fires.

*4 How to use the elbow

Adjust the angle of the elbow so that the dust is discharged away from your body.

*5 About the mode change function

The unit has "Transmission mode" and "Auto mode".

- With Transmission mode, the belt sander's number of revolutions can be set at one of five stages.
When operating in Transmission mode, the set number of revolutions will be maintained regardless of changes in load.
- With Auto mode, you can lower noise and vibration by lowering the maximum number of revolutions while in a no-load state.

While in Auto mode, the number of revolutions will be raised if the load becomes greater during operation.

On the other hand, the number of revolutions will be lowered if the load decreases during operation. (Table 3)

- Set the mode and dial according to work application.

Table 3

Dial setting	Belt speed
1	122 m/min
2	220 m/min
3	310 m/min
4	400 m/min
5	450 m/min
A	122 m/min (No load)
	450 m/min (With load)

*6 How to adjust sanding belt position

WARNING

- If the sanding belt is positioned too close to the inside, it may come into contact with the guard, producing sparks.
- Do not peer inside between the sanding belt and housing. Doing so risks dust or other debris entering your eyes.

NOTE

- If sanding belt moves during operation, adjustment can be made while in operation.
- Setting the dial to low speed (e.g., mode 1) makes it easier to adjust.
- If the sanding belt is positioned too close to the inside, it may come into contact with the guard, causing the belt to tear.

- *7 How to hold and move the belt sander
- Remove the tool from the workpiece and turn on the trigger switch. When finishing, turn off the trigger switch after the tool is removed from the workpiece, and set the tool down after the rotation has stopped.
- Grasp handle and handle knob and hold machine against surface to be worked on so that it contacts surface lightly.
- Hold both handles firmly, and take great care to keep your fingers away from the pulleys and sanding belt while working.
- Weight of machine itself is sufficient for sanding and polishing at highest efficiency.
- Do not apply any additional pressure, for this would place unnecessary load on motor, shorten life of sanding belt and lower work efficiency.
- Choose sanding belt of proper grain size and grain type for your specific purpose, by referring to **Table 4** and **5** below.

Table 4

Derived finish	Proper grain size
Coarse finish	30–40
Medium finish	40–100
Semi fine finish	80–240
Fine finish	180–400

Table 5

Grain type	Surface to be worked on
AA	Steel, Wood
WA	Wood, Bamboo

MAINTENANCE AND INSPECTION

WARNING

Be sure to turned off the switch and remove the battery before maintenance and inspection.

1. Emptying and cleaning the Dust Bag

Clean the dust bag after working to remove any sanding dust. (Fig. 5)

NOTE

If too much dust accumulates in the dust bag, the dust collection power will be reduced.

Dispose of dust as soon as possible.

2. Inspecting the sanding belt

The abrasive performance of the sanding belt will decrease if its abrasive particles become worn away or clogged, greatly reducing the efficiency of the tool. If this occurs, replace with a new sanding belt.

3. Cleaning on the outside

When the power tool is stained, wipe with a soft dry cloth or a cloth moistened with soapy water. Do not use chloric solvents, gasoline or paint thinner, for they melt plastics.

4. Cleaning the battery installation compartment and the battery

WARNING

Wear protective glasses and a dust mask when cleaning with an air blow gun.

Failure to do so may result in inhalation or exposure of the eyes to debris or dust.

After working, if sanding dust has accumulated on the battery installation compartment and the battery, clean off the accumulated sanding dust with an air blow gun or a dry cloth before using the tool. (Fig. 13)

NOTE

○ After cleaning, ensure that the battery can be installed and removed smoothly from the tool.

○ Using the tool when the battery is covered with sanding dust may lead to accidents such as the battery falling during use.

Furthermore, such use may cause a malfunction or contact failure between the battery and terminals.

5. Maintenance of the motor

The motor unit winding is the very "heart" of the power tool. Exercise due care to ensure the winding does not become damaged and/or wet with oil or water.

6. Storage

Store the power tool and battery in a place in which the temperature is less than 40°C and out of reach of children.

NOTE

○ When storing the tool in the case, keep sanding dust and debris away from it.

Remove the battery from the tool and attach the battery cover. (Fig. 14)

○ Storing lithium-ion batteries.

Make sure the lithium-ion batteries have been fully charged before storing them.

Prolonged storage (3 months or more) of batteries with a low charge may result in performance deterioration, significantly reducing battery usage time or rendering the batteries incapable of holding a charge.

However, significantly reduced battery usage time may be recovered by repeatedly charging and using the batteries two to five times.

If the battery usage time is extremely short despite repeated charging and use, consider the batteries dead and purchase new batteries.

CAUTION

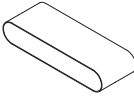
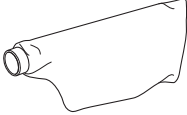

In the operation and maintenance of power tools, the safety regulations and standards prescribed in each country must be observed.

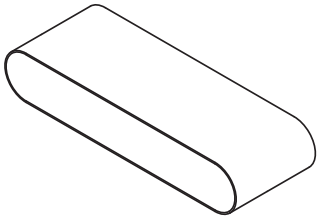
Important notice on the batteries for the HiKOKI cordless power tools

Please always use one of our designated genuine batteries. We cannot guarantee the safety and performance of our cordless power tool when used with batteries other than these designated by us, or when the battery is disassembled and modified (such as disassembly and replacement of cells or other internal parts).

NOTE

Due to HiKOKI's continuing program of research and development, the specifications herein are subject to change without prior notice.

	SB3608DA
	(NN)
 <p data-bbox="389 256 497 280">76 × 533 mm</p>	1
	1
	1

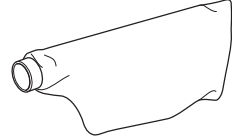


76 x 533 mm

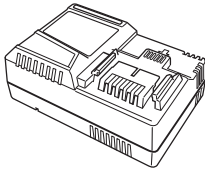
WA80	939733
WA150	939736
WA180	939737
WA240	939738
AA30	939739
AA40	939740
AA60	939741
AA80	939742
AA100	939743
AA120	939744
AA150	939745
AA180	939746
AA240	939747
AA320	939748
AA400	939749



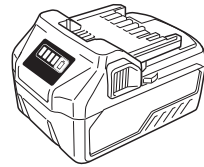
379359



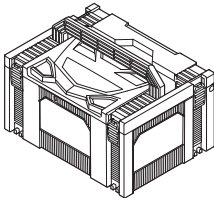
379358



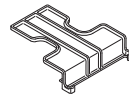
UC18YSL3 (14.4 V-18 V)



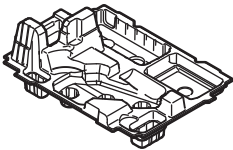
BSL36..18



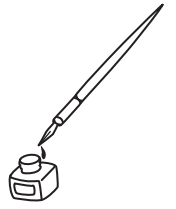
337108

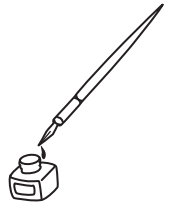


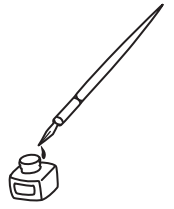
329897



379378







Koki Holdings Co., Ltd.

Shinagawa Intercity Tower A, 15-1, Konan 2-chome,
Minato-ku, Tokyo, Japan